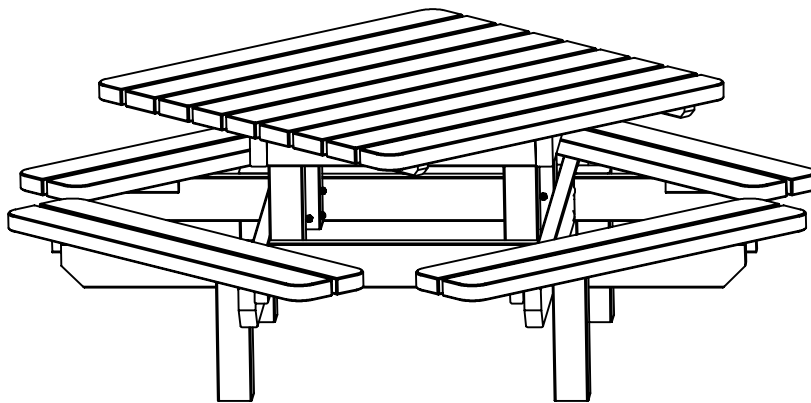
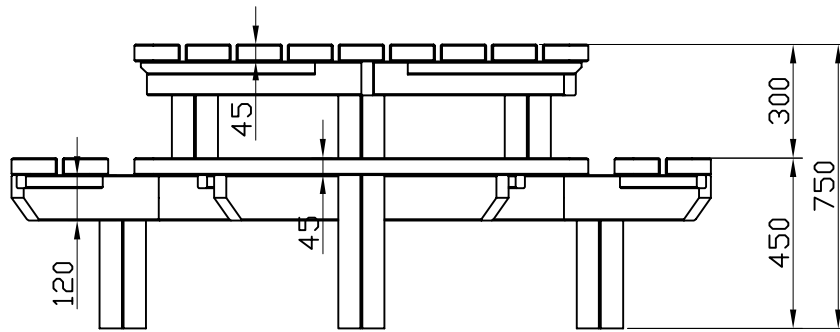
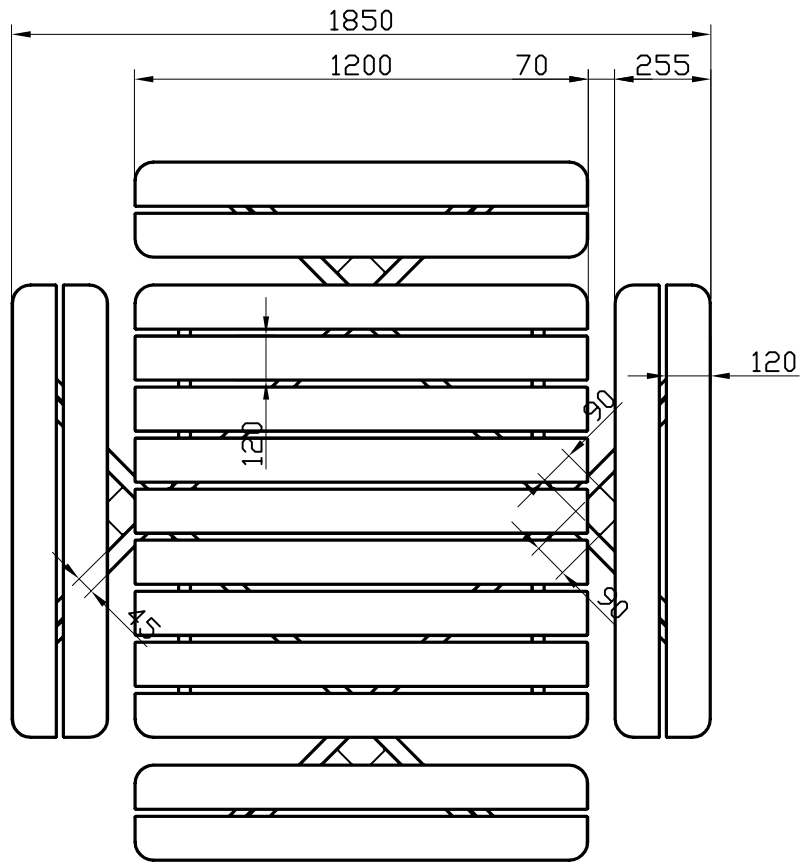


876 030



**MOBILIER URBAIN**

Nom:  
**Table Carre Green Park**

Dimensions:  
**2.10 x 2.10 x h0.75**

REV03	Modification de tableau	2011-10-18
REV02	Modification de composition	2011-04-14
Essence: <b>Pin Silvestre</b>		
Traitement: <b>TRAITE AUTOCLAVE</b>		
Echelle: <b>1:20</b>		
876 030 Table Carre Green Park REV03		1/1

ref.876 030